

Universal Stirrer for screen printed and classical electrodes

Type: ST1.*

Description

- The universal stirrer ST1 uses a common micro DC motor.
- ST1 allows the solution to be mixed and the particles to be optimally transferred to the surface of the printed or conventional electrodes.
- The construction of stirrer assures the optimum mass transport with the minimum hydrodynamic noise.
- The supply voltage 0 - 5 V and the maximum current of 450 mA mean that it can be used as a USB device.
- The stirrer is manufactured from quality materials and suitable chemical measurements.
- Revolutions range: 120 - 12 000 rpm.
- For control speed use BVT PMW control ST1.C



Physical Parameters

Dimensions:

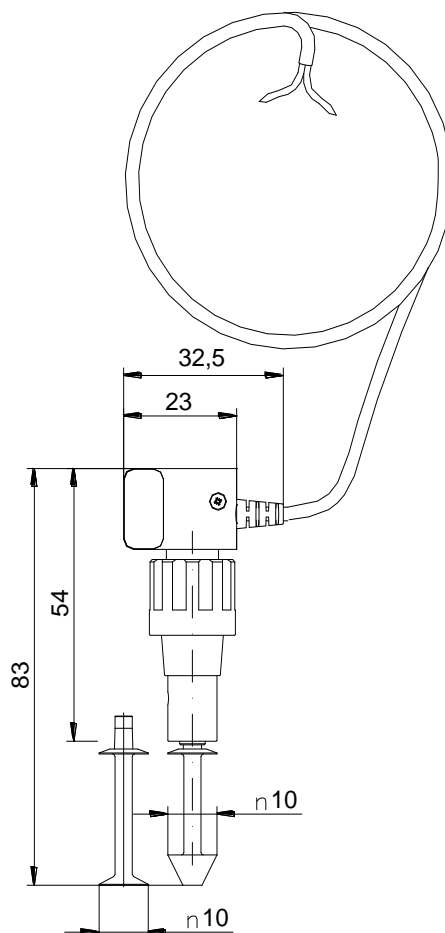
Weight: 36 gms
 Length: 83 mm
 Diameter: 23 mm
 Cable length: 1 m

Delivery ST1 contains

- Universal stirrer
- 1 piece of PEEK Conical impeller
- 1 piece of PEEK Disk impeller

References

1. J. Krejci, R. Sejnohova, V. Hanak, H. Vranova, Screen Printed Electrodes with Improved Mass Transfer, New perspectives in biosensors technology and applications (2011) 291-311

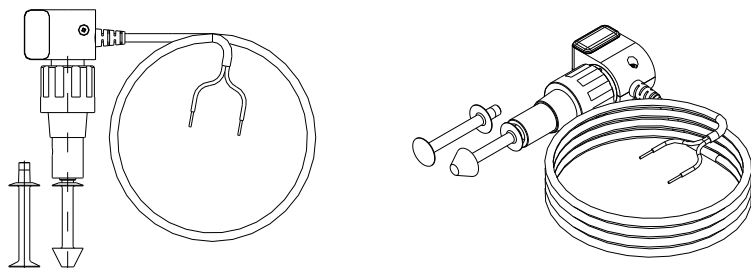


Types of termination

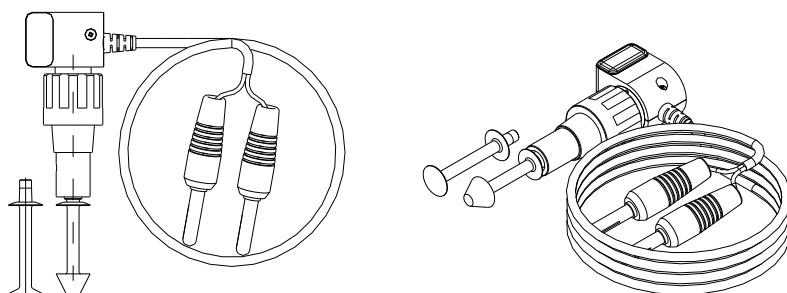
Model	Cable	Termination	Evaluating Units
ST1.S	Two-core	Single conductors	any device
ST1.1	Two-core	Banana plugs 4 mm	any device
ST1.5	Two-core	Banana plugs 2mm 1.5 m cable	any device
ST1.6	Two-core	Banana plugs 2 mm 0.2 m cable	any device
ST1.C	Two-core	Banana plugs 2 mm 1.5 m cable	any device

Internal Wiring

ST1.S - Single conductors

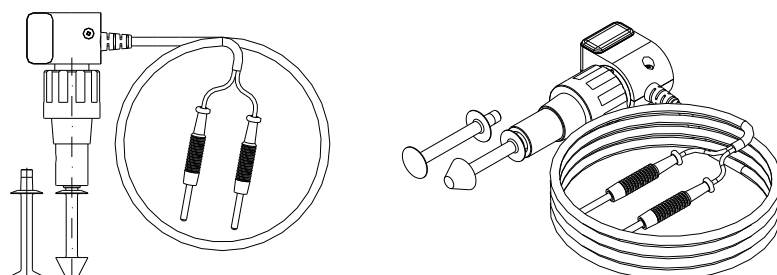


ST1.1 - Banana plugs 4 mm



ST1.5 - Banana plugs 2 mm (1.5 m cable)

ST1.6 - Banana plugs 2 mm (0.2 m cable)



ST1.C - BVT pmw regulator for ST1.

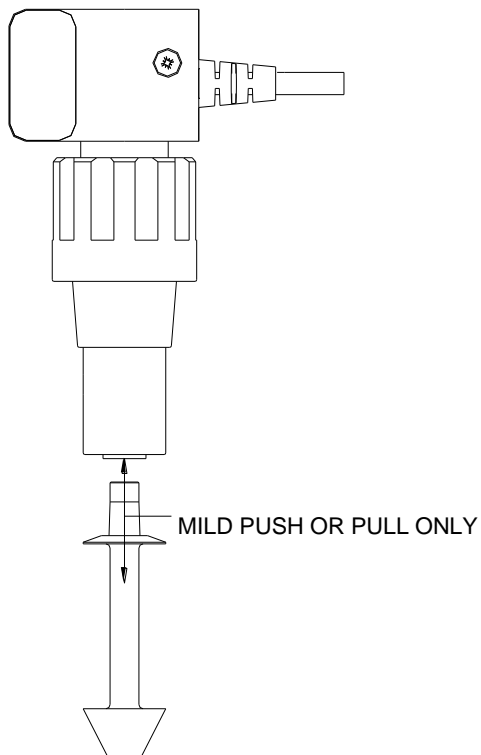
Input: 5 V - USB (PC, Power bank or mobile charger)

Output: 0 - 5 V - 2 mm Banana

The BVT pmw regulator controls the speed of the stirrer.
See BVT pmw regulator product sheet for more details.



Instructions for insertion into the stirrer attachment



Hydrodynamics of stirring

- Screen printed electrodes



- Classical electrodes



Recommended vessel

TC4, TC5, TC6

Recommended connector

KA1.C, KA2.C

Recommended sensors

AC1.W*.R*
 AC2.W*.R*
 AC4.W*

Recommended classical electrode

WCEc.W*.D*
 RCEc.R*
 ACEc
 Paste electrode
 Electrodes with salt bridge

Ordering information

- The order is specified by whole product code
- Minimum order quantity - 1 stirrer
- Delivery time for standard ST1.* is 4 weeks from receipt of order
- Delivery time for non-standard ST1.* depends on final technical specification of the order
- Example of Order
 - 2 pieces ST1.S