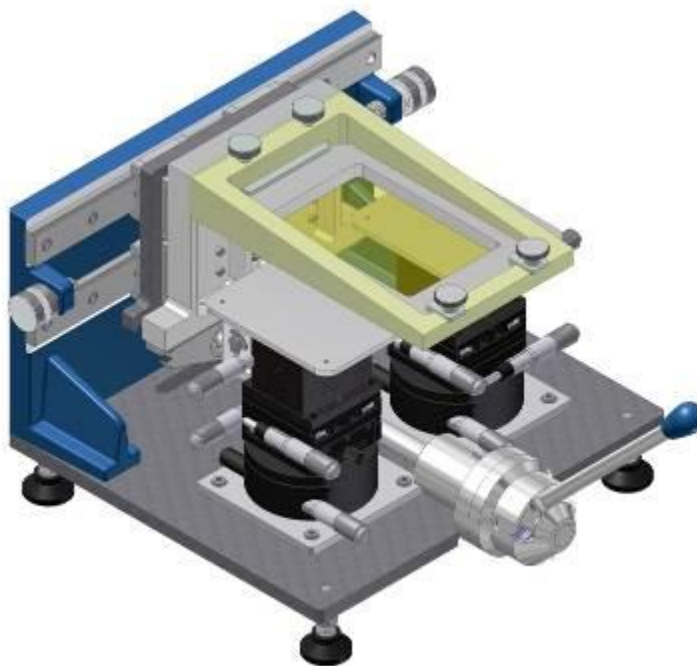


## MANUAL SCREEN PRINTER

Type: MSP

### Description

The manual screen printer is useful for applying of biochemical paste on electrochemical sensors. It may be used for preparing customer design electrochemical sensors also. It uses extremely small quantities of printing material. With the adjustment of the distance between the screen and the substrate the thickness of the printed elements can be varied. Under optimal conditions printing of lines with 200 µm can be achieved.



### Physical Parameters

#### *Dimensions:*

Length: 337 mm  
 Height: 245 mm  
 Length: 300 mm  
 Weight: 8 kg

### Technical Parameters

Clamping	Vacuum
Clamping table	For AC1, AP1 and AC2
Positioning	Two directions: Height and Angle
Printing	Manual Squeegee

### Optional Equipment

Screens of customer design. Schematic drawing of the sensor and specification of materials of each printed layer is needed from customer. The design remains property of the customer; it won't be used by BVT Technologies unless the customer allows it.

### **Device Usage**

- Printing of (bioactive) pastes on electrochemical sensors AC1, AP1 and AC2
- Printing of customer design electrochemical sensor

### **Ordering Information**

- Minimum order quantity - 1 MSP
- Delivery time for MSP is 8 - 10 weeks from receipt of order

**Example of Order** - 1 piece - MSP